

Version 7 Register Setup: Sam4s 7000 / 7040

Below are some basic instructions for setting up a register for communications with V7. These steps should only be completed by a certified cash register dealer. In order to setup communications dealers must first program the register to allow communications, connect the register to the PC, and configure the software. Below are instructions on programming the register, sample cable diagrams to help dealers connect the register to the PC, and basic installation instructions for the software.

Register Programming:

To program the Sam4s 7000 dealers should set the following options within S-Mode:

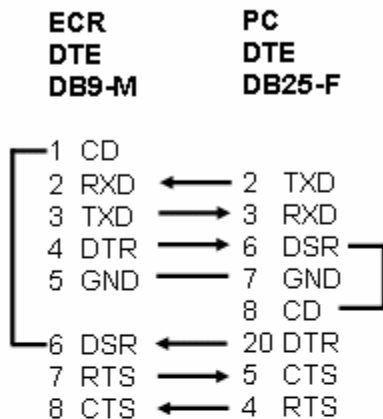
- * Set your Serial Port Device Selection area to have port 1 set to Polling.
- * Within System Options set your Store Number and IRC range.

On the Sam4s 7000 PC/POLL is not recommending communications with registers with a ROM less than 1.24 and a MICOM chip less than 1.06. If your registers have lower versions of either chip please update.

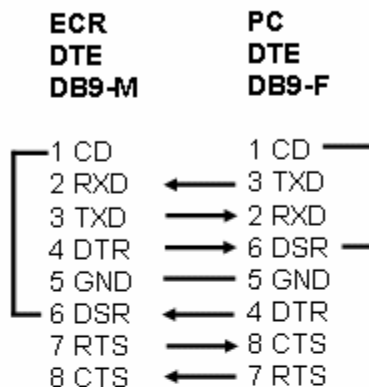
Cabling:

The cabling specifications for V7 and the Sam4s 7000:

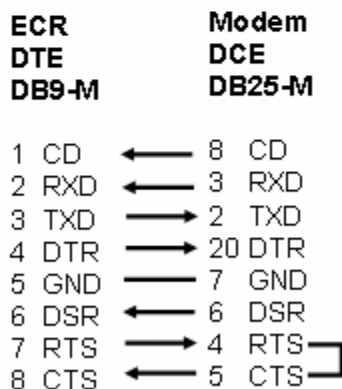
Samsung 7000 / 7040 Port 1



Samsung 7000 / 7040 Port 1



Samsung 7000 / 7040 Port 1



Note: Jumper 4&5 on Modem
DB25-M

**Samsung 7000 / 7040
Port 2**

ECR
DTE
RJ45-M

PC
DTE
DB25-F

1 CD
2 DSR ← 20 DTR
3 TXD → 3 RXD
4 RXD ← 2 TXD
5 RTS → 5 CTS
6 CTS ← 4 RTS
7 GND → 7 GND
8 DTR → 6 DSR

**Samsung 7000 / 7040
Port 2**

ECR
DTE
RJ45-M

PC
DTE
DB9-F

1 CD
2 DSR ← 4 DTR
3 TXD → 2 RXD
4 RXD ← 3 TXD
5 RTS → 8 CTS
6 CTS ← 7 RTS
7 GND → 5 GND
8 DTR → 6 DSR

**Samsung 7000 / 7040
Port 2**

ECR
DTE
RJ45-M

Modem
DCE
DB25-M

2 DSR ← 6 DSR
3 TXD → 2 TXD
4 RXD ← 3 RXD
5 RTS → 4 RTS
6 CTS ← 5 CTS
7 GND → 7 GND
8 DTR → 20 DTR

Software Setup:

To setup the software follow the steps below:

1. Download V7 Polling from www.pcpoll.com or if you ordered a CD click on the V7 Install button.
2. Locate and run the file you just downloaded: v7install.exe. (Skip this step if you have a V7 CD.)
3. Click the Next buttons and fill in the required information on the install screens to install the software.
4. Print off or write down your registration information. (This information will be displayed during the installation.)
5. Click Finish to complete a successful installation.
6. Contact sales2007@pcpoll.com for a release code. Be sure to include your registration information from step 4.
7. Open the software, by double-clicking on the V7 Polling icon, and select Polling from the program selector.
8. Enter in your release code and click the Update Release Code button.
9. Click the Close button on the release code screen.
10. Read/view one of the following documents to learn how to use the software.

V7 Documentation

- a) Click on the Help button in the lower right corner of the V7 Polling screen.
- b) View our online tutorials on: www.pcpoll.com/demo/V7_demo.htm.
- c) If you ordered a CD view the tutorials on your installation CD.